



Breakdown of parts:

- 1 metallic base lined in PVC, equipped with 2 fixed wheels and 2 castors with a diameter according to requirements.
- 2 sides with marking panel.
- 1 rear panel joined to the sides by 4 polyamide 6 flanges.
- 2 hinged half-doors.
- 1 mounting kit for rigidizing the roll container (side-base).

Options:

- Trays.
- Card holder (see detail A).
- Tow bar (see detail B).

Finishing:

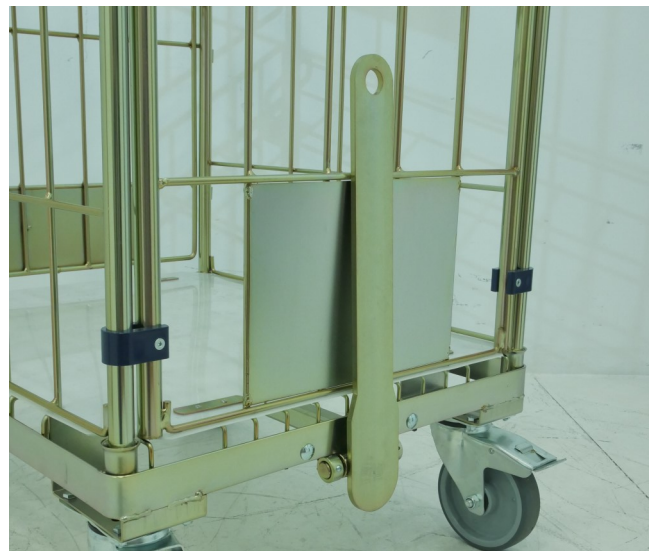
- Electro-zinc + mineral-organic SEALING (Silver or golden colour).

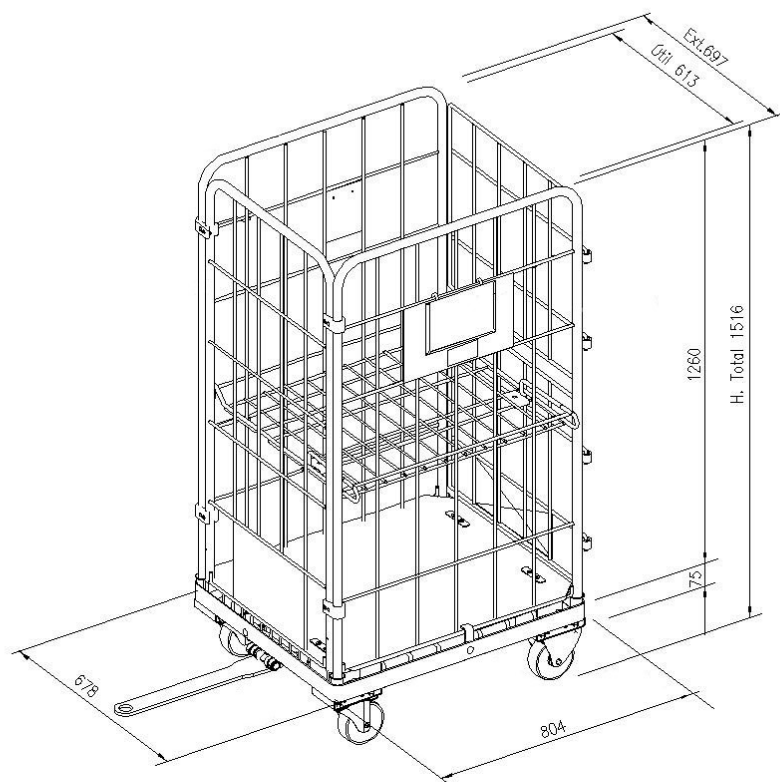
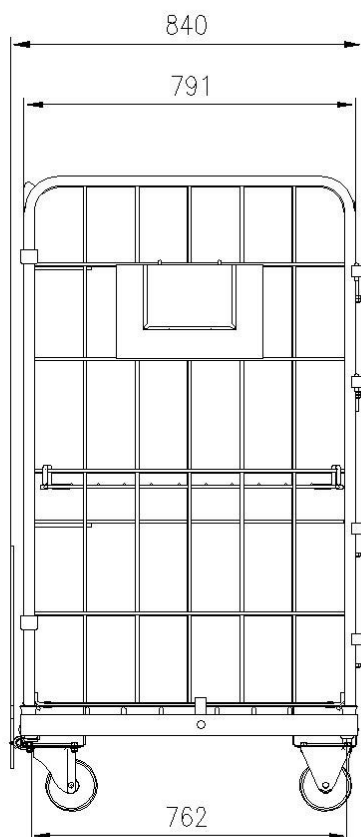
* Please enquire about other finishes.

Detail A- Card holder



Detail B- Tow bar





Measurements ^{*1}			
	Height ^{*2}	Width ^{*3}	Length ^{*3}
Max. External	59.68''	33.07''	27.44''
Useful	49.61''	30''	24.13''
Base		31.65''	26.69''

*1 Measurements in inches.

*2 External height may vary depending on the Ø of the wheels.

*3 The measurements can vary depending on the accessories.

Call us, we have your solution!



SUMAL



Office and production center:
Av. Antoni Gaudí, 41
Rubí (Barcelona)
Spain

Tel: +34 935 861 400
Fax: +34 935 861 408
E-mail: sales@sumal.es
www.sumal.com