



Breakdown of parts:

- 1 metallic base lined in PVC equipped with 2 fixed wheels and 2 castors, with a diameter according to requirements.
- 2 sides with marking plate.
- 1 rear panel joined to the sides with 4 polyamide 6 flanges (highly resistant).
- 1 mounting kit for rigidizing the roll container (side-base).
- 2 retractable trays.

Finishing:

- Electro-zinc + mineral-organic SEALING (Silver or Golden color)

*Please enquire about other finishes.

Features:

RB 8062 model have been created to meet the needs of our customers dedicated to the hospital laundry sector. Thanks to its dimensions, they allow:

- **Cost-effective in transport**, since the base dimensions allow 4 roll containers to be placed in a 2400mm bed width truck.
- **Ergonomics**, since its 600mm depth allows to load and unload clothes from the trays without overexertion.
- Its 2 retractable trays (fixed on one of the sides) allows the **use in floor without moving clothes to another roll**. The retractable system also allows to use the roll as it would have no trays.

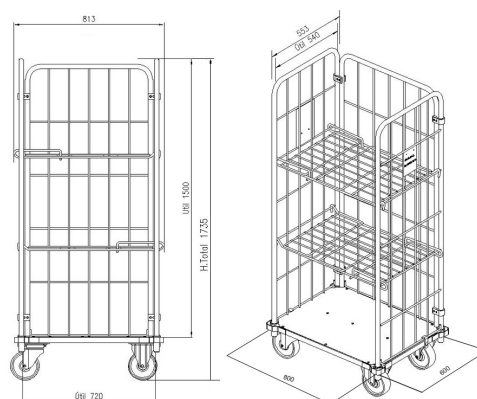
Measurements

	Height	Side	Frontal
Max. External	1735* ¹ * ²	550* ¹ * ³	810* ¹ * ³
Useful	1500* ¹	540* ¹	720* ¹
Base		600* ¹	800* ¹

*¹ Measurements in millimeters.

*² The external height may vary depending on the diameter of the wheels.

*³ Measurements can vary depending on the accessories.



Call us, we have your solution!

SUMAL

ISO 9001

BUREAU VERITAS
Certification



Office and production center:
Av. Antoni Gaudí, 41
08191 Rubí (Barcelona)
Spain

Tel: +34 935 861 400
Fax: +34 935 861 408
E-mail: sales@sumal.es
www.sumal.com