

**Features:**

Roll container specially designed and adapted to AGV reading system. The base is made up of 2 reflective surfaces and an RFID (radio frequency identification) chip for electronic recognition.

**Breakdown of parts:**

- 1 lined PVC base plate equipped with 2 fixed wheels and 2 castors with a diameter according to requirements. It has metallic protection corners.
- 2 sides, one of them with marking plate.
- 1 rear panel, joined to the sides with 4 polyamide 6 flanges (highly resistant).
- 2 central opening doors, joined to the sides by 4 polyamide 6 flanges.
- 1 mounting kit for rigidizing the roll container (side-base).

**Finishing:**

- Electro-zinc + mineral-organic SEALING (Golden or silver colour).

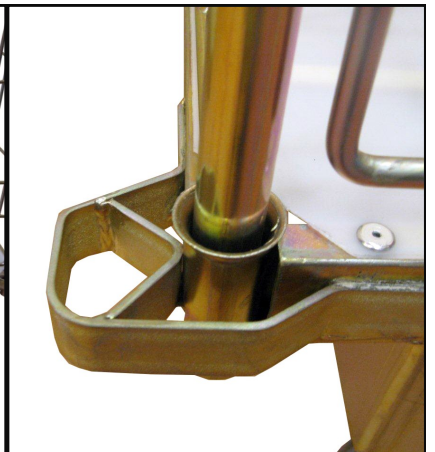
\* Please enquire for other finishes.



Reflective surfaces and RFID chip

PVC base

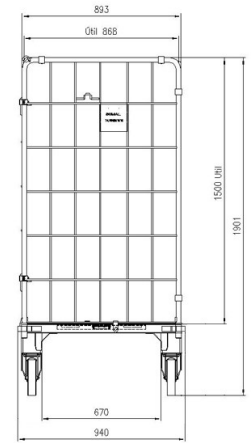
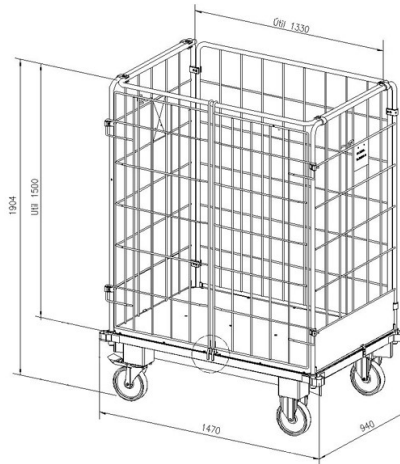
Protection corners





### In option:

- Removable tray.
- Hanger bar.
- Cover.
- Card holder.
- Tow bar.



Measurements			
	Height	Side	Frontal
Max. external	1900* <sup>1</sup> * <sup>2</sup>	940* <sup>1</sup> * <sup>3</sup>	1470* <sup>1</sup> * <sup>3</sup>
Useful	1500* <sup>1</sup>	865* <sup>1</sup>	1330* <sup>1</sup>
Base		940* <sup>1</sup>	1470* <sup>1</sup>

\*<sup>1</sup> Measurements in millimeters.

\*<sup>2</sup> External height may vary depending on the diameter of the wheels.

\*<sup>3</sup> The measurements can vary depending on the accessories.

**Call us, we have your solution!**



ISO 9001

BUREAU VERITAS  
Certification



Office & Production center:  
Av. Antoni Gaudí, 41  
08191 Rubí (Barcelona)  
Spain

Tel: +34 935 861 400  
Fax: +34 935 861 408  
E-mail: sales@sumal.es  
www.sumal.com