



Features:

This roll container model is especially suitable for distribution in limited height vehicles, industrial laundries, among others.

Breakdown of parts:

- 1 base equipped with 2 fixed wheels and 2 swivel wheels of Ø according to needs.
- 2 sides with marking plates.
They have hooks to facilitate the placement and removal of the inner cover quickly and simple. (see detail A).
- 1 rear panel joined to the sides through 4 polyamide flanges (highly resistant).
- 1 50% folding front panel, not removable. Lower part joined to the sides by means of 4 polyamide 6 flanges. Folding upper part and fastened to the sides by means of metal fasteners.

Options:

Cover (see detail B).

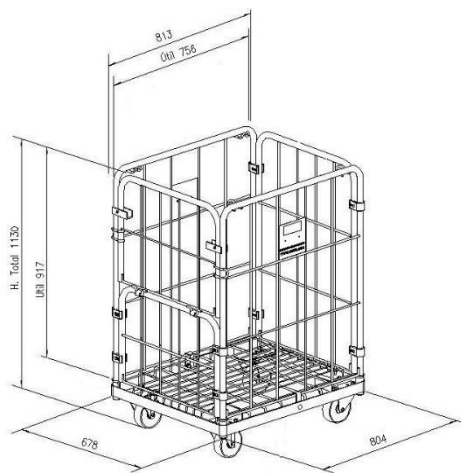
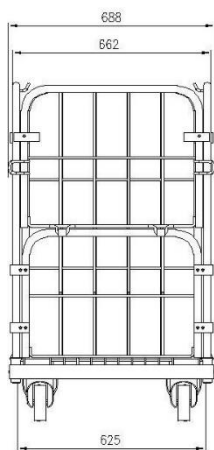
Optional finishes:

- Electro-zinc plating + organic-mineral SEALING (gold or silver).
- * For other finishes, consult.

Detail A– Hooks for cover



Detail B- Cover



Measurements*¹ RB 428

	Height* ²	Width* ³	Lenght* ³
Max external.	44,48"	31,88"	26,96"
Useful	36,02"	29,72"	24,60"
Base		31,49"	26,77"

*¹ Measures in inches.

*² External height may vary depending on the diameter of the wheels.

*³ The measurements can vary depending on the accessories.

Call us, we have your solution!



SUMAL

Oficina y centro de producción: **Tel: +34 935 861 400**
 Av. Antoni Gaudí, 41 **Fax: +34 935 861 408**
 08191 Rubí (Barcelona) **E-mail: ventas@sumal.es**
 Spain **www.sumal.com**

ISO 9001

BUREAU VERITAS
Certification

